

SAMÇELİK

ÇEVRE DOSTU GELİŞMİŞ ÇÖZÜMLER

ECO-FRIENDLY ADVANCED SOLUTIONS

ЭКОЛОГИЧНОСТЬ ПЕРЕДОВЫЕ РЕШЕНИЯ

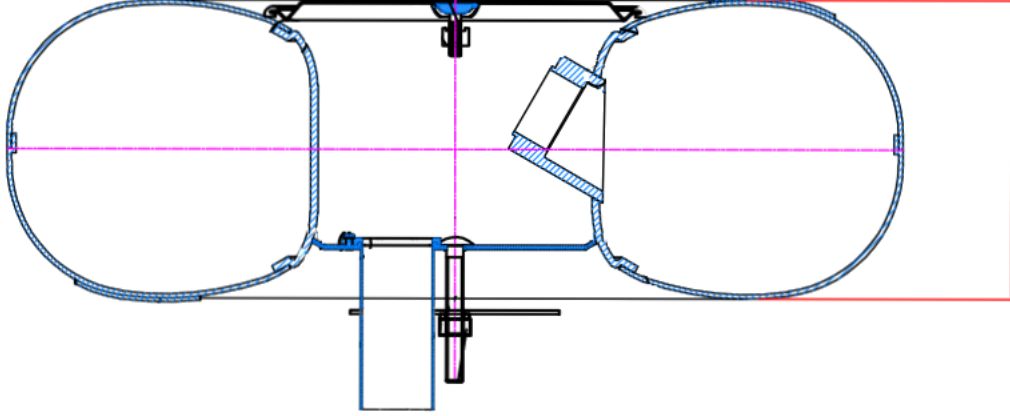


INTERNAL TOROIDAL TANK



CODE	INTERNAL TOROIDAL TANK	CAPACITY
SCT520I026	520X180 Internal Toroidal Tank	26
SCT520I030	520X200 Internal Toroidal Tank	30
SCT520I034	520X220 Internal Toroidal Tank	34
SCT520I038	520X240 Internal Toroidal Tank	38
SCT520I044	520X270 Internal Toroidal Tank	44
SCT550I030	550X180 Internal Toroidal Tank	30
SCT550I034	550X200 Internal Toroidal Tank	34
SCT550I038	550X220 Internal Toroidal Tank	38
SCT550I042	550X240 Internal Toroidal Tank	42
SCT550I048	550X270 Internal Toroidal Tank	48
SCT565I034	565X180 Internal Toroidal Tank	34
SCT565I038	565X200 Internal Toroidal Tank	38
SCT565I044	565X225 Internal Toroidal Tank	44
SCT565I048	565X240 Internal Toroidal Tank	48
SCT565I050	565X250 Internal Toroidal Tank	50
SCT565I054	565X270 Internal Toroidal Tank	54
SCT570I033	570X180 Internal Toroidal Tank	33
SCT570I037	570X200 Internal Toroidal Tank	37
SCT570I042	570X220 Internal Toroidal Tank	42
SCT570I046	570X240 Internal Toroidal Tank	46
SCT570I053	570X270 Internal Toroidal Tank	53
SCT580I034	580X180 Internal Toroidal Tank	34
SCT580I040	580X200 Internal Toroidal Tank	40
SCT580I044	580X220 Internal Toroidal Tank	44
SCT580I050	580X240 Internal Toroidal Tank	50
SCT580I055	580X270 Internal Toroidal Tank	55

CODE	INTERNAL TOROIDAL TANK	CAPACITY
SCT600I037	600X180 Internal Toroidal Tank	37
SCT600I042	600X200 Internal Toroidal Tank	42
SCT600I047	600X220 Internal Toroidal Tank	47
SCT600I052	600X240 Internal Toroidal Tank	52
SCT600I060	600X270 Internal Toroidal Tank	60
SCT630I042	630X180 Internal Toroidal Tank	42
SCT630I048	630X200 Internal Toroidal Tank	48
SCT630I053	630X220 Internal Toroidal Tank	53
SCT630I059	630X240 Internal Toroidal Tank	59
SCT630I067	630X270 Internal Toroidal Tank	67
SCT650I045	650X180 Internal Toroidal Tank	45
SCT650I051	650X200 Internal Toroidal Tank	51
SCT650I057	650X220 Internal Toroidal Tank	57
SCT650I063	650X240 Internal Toroidal Tank	63
SCT650I072	650X270 Internal Toroidal Tank	72
SCT680I049	680X180 Internal Toroidal Tank	49
SCT680I057	680X200 Internal Toroidal Tank	57
SCT680I063	680X220 Internal Toroidal Tank	63
SCT680I070	680X240 Internal Toroidal Tank	70
SCT680I080	680X270 Internal Toroidal Tank	80
SCT720I055	720X180 Internal Toroidal Tank	55
SCT720I063	720X200 Internal Toroidal Tank	63
SCT720I070	720X220 Internal Toroidal Tank	70
SCT720I078	720X240 Internal Toroidal Tank	78
SCT720I089	720X270 Internal Toroidal Tank	89



UYGULAMA	APPLICATION	ЗАЯВЛЕНИЕ
Likid gaz propan ve butongaz karışımından oluşur. Bu güçlü karışım tüm benzinli ticari ve taşıma araçlarında kullanılır.	Liquid gas propane-butane mixture strange for admission of petrol engines in passenger cars, commercial and delivery vehicles.	Сжиженный газ пропан-бутановая смесь непригодна для впуска в бензиновые двигатели легковых автомобилей, коммерческого и грузового транспорта.

TEKNİK ÖZELLİKLER	TECHNICAL SPECIFICATIONS	ТЕХНИЧЕСКИЕ ХАРАКТЕРИСТИКИ
1. Sınıf	1st Class	T1-й класс
Tasarım ve Test Basıncı 3000 kPa	Design and Test Pressure 3000 kPa	Расчетное и испытательное давление 3000 кПа
Çalışma Basıncı Max. 2550 kPa	Working Pressure Max. 2550 kPa	Максимальное рабочее давление: 2550 кПа
Sac Özelliği DIN EN 10120 P265NB	Sheet Feature DIN EN 10120 P265NB	Характеристика листа DIN EN 10120 P265NB

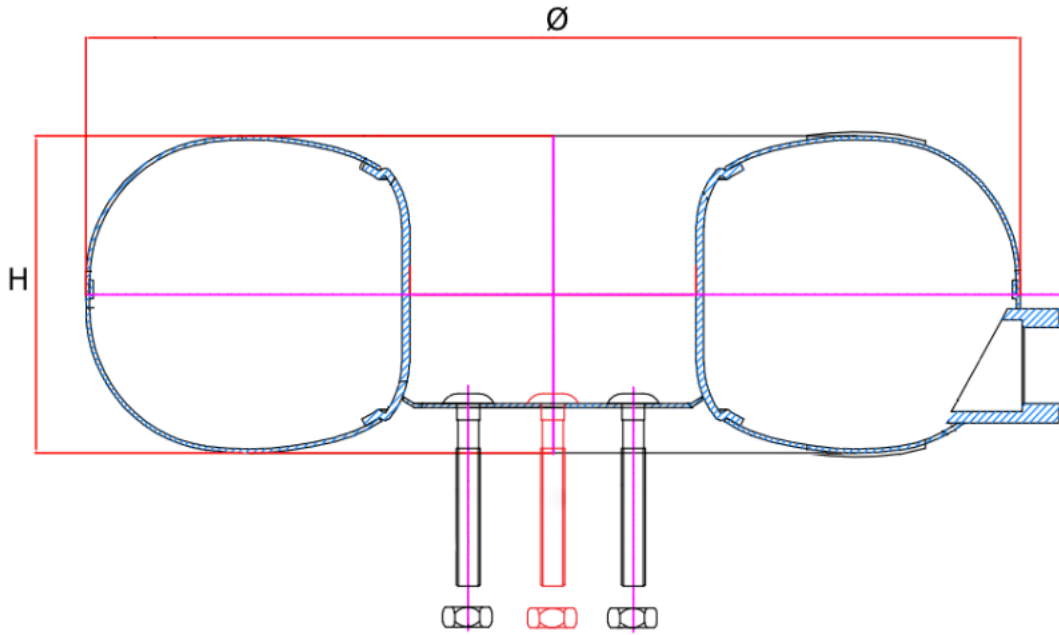
EXTERNAL TORODIAL TANK



CODE	EXTERNAL TORODIAL TANK	CAPACITY
SCT520E029	520X180 External Toroidal Tank	29
SCT520E033	520X200 External Toroidal Tank	33
SCT520E038	520X220 External Toroidal Tank	38
SCT520E042	520X240 External Toroidal Tank	42
SCT520E049	520X270 External Toroidal Tank	49
SCT550E030	550X180 External Toroidal Tank	30
SCT550E034	550X200 External Toroidal Tank	34
SCT550E038	550X220 External Toroidal Tank	38
SCT550E042	550X240 External Toroidal Tank	42
SCT550E048	550X270 External Toroidal Tank	48
SCT565E034	565X180 External Toroidal Tank	34
SCT565E038	565X200 External Toroidal Tank	38
SCT565I044	565X225 Internal Toroidal Tank	44
SCT565I048	565X240 Internal Toroidal Tank	48
SCT565I050	565X250 Internal Toroidal Tank	50
SCT565I054	565X270 Internal Toroidal Tank	54
SCT570E033	570X180 External Toroidal Tank	33
SCT570E037	570X200 External Toroidal Tank	37
SCT570E042	570X220 External Toroidal Tank	42
SCT570E046	570X240 External Toroidal Tank	46
SCT570E053	570X270 External Toroidal Tank	53
SCT580E034	580X180 External Toroidal Tank	34
SCT580E040	580X200 External Toroidal Tank	40
SCT580E044	580X220 External Toroidal Tank	44
SCT580E050	580X240 External Toroidal Tank	50
SCT580E055	580X270 External Toroidal Tank	55

CODE	EXTERNAL TORODIAL TANK	CAPACITY
SCT600E037	600X180 External Toroidal Tank	37
SCT600E042	600X200 External Toroidal Tank	42
SCT600E047	600X220 External Toroidal Tank	47
SCT600E052	600X240 External Toroidal Tank	52
SCT600E060	600X270 External Toroidal Tank	60
SCT630E042	630X180 External Toroidal Tank	42
SCT630E048	630X200 External Toroidal Tank	48
SCT630E053	630X220 External Toroidal Tank	53
SCT630E059	630X240 External Toroidal Tank	59
SCT630E067	630X270 External Toroidal Tank	67
SCT650E045	650X180 External Toroidal Tank	45
SCT650E051	650X200 External Toroidal Tank	51
SCT650E057	650X220 External Toroidal Tank	57
SCT650E063	650X240 External Toroidal Tank	63
SCT650E072	650X270 External Toroidal Tank	72
SCT680E049	680X180 External Toroidal Tank	49
SCT680E057	680X200 External Toroidal Tank	57
SCT680E063	680X220 External Toroidal Tank	63
SCT680E070	680X240 External Toroidal Tank	70
SCT680E080	680X270 External Toroidal Tank	80
SCT720E055	720X180 External Toroidal Tank	55
SCT720E063	720X200 External Toroidal Tank	63
SCT720E070	720X220 External Toroidal Tank	70
SCT720E078	720X240 External Toroidal Tank	78
SCT720E089	720X270 External Toroidal Tank	89

EXTERNAL TORODIAL TANK



UYGULAMA	APPLICATION	ЗАЯВЛЕНИЕ
Likid gaz propan ve butongaz karışımından oluşur. Bu güçlü karışım tüm benzinli ticari ve taşıma araçlarında kullanılır.	Liquid gas propane-butane mixture strange for admission of petrol engines in passenger cars, commercial and delivery vehicles.	Сжиженный газ пропан-бутановая смесь непригодна для впуска в бензиновые двигатели легковых автомобилей, коммерческого и грузового транспорта.

TEKNİK ÖZELLİKLER	TECHNICAL SPECIFICATIONS	ТЕХНИЧЕСКИЕ ХАРАКТЕРИСТИКИ
1. Sınıf	1st Class	T1-й класс
Tasarım ve Test Basıncı 3000 kPa	Design and Test Pressure 3000 kPa	Расчетное и испытательное давление 3000 кПа
Çalışma Basıncı Max. 2550 kPa	Working Pressure Max. 2550 kPa	Максимальное рабочее давление: 2550 кПа
Sac Özelliği DIN EN 10120 P265NB	Sheet Feature DIN EN 10120 P265NB	Характеристика листа DIN EN 10120 P265NB

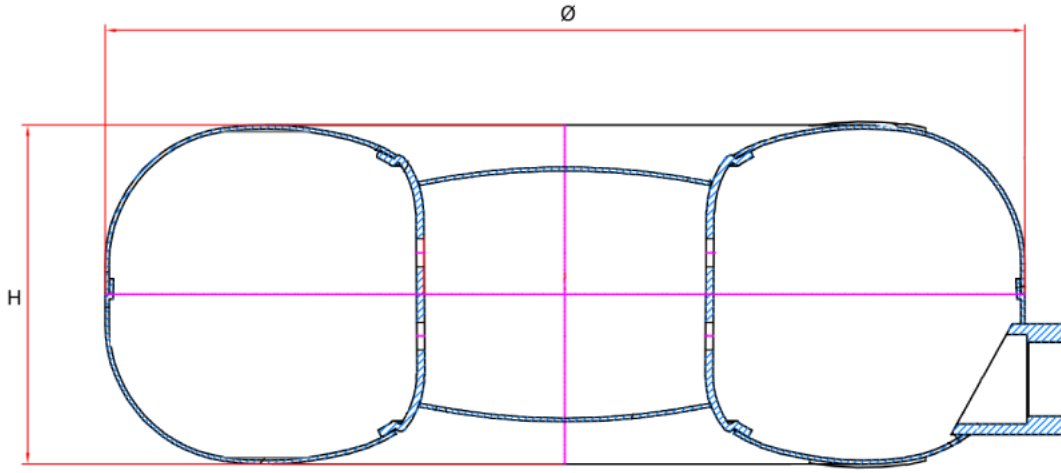
ULTRA TOROIDAL TANK



CODE	ULTRA TOROIDAL TANK	CAPACITY
SCT520U029	520X180 Ultra Toroidal Tank	29
SCT520U033	520X200 Ultra Toroidal Tank	33
SCT520U038	520X220 Ultra Toroidal Tank	38
SCT520U042	520X240 Ultra Toroidal Tank	42
SCT520U049	520X270 Ultra Toroidal Tank	49
SCT550U033	550X180 Ultra Toroidal Tank	33
SCT550U037	550X200 Ultra Toroidal Tank	37
SCT550U042	550X220 Ultra Toroidal Tank	42
SCT550U046	550X240 Ultra Toroidal Tank	46
SCT550U053	550X270 Ultra Toroidal Tank	53
SCT565U034	565X180 Ultra Toroidal Tank	34
SCT565U038	565X200 Ultra Toroidal Tank	38
SCT570U036	570X180 Ultra Toroidal Tank	36
SCT570U040	570X200 Ultra Toroidal Tank	40
SCT570U046	570X220 Ultra Toroidal Tank	46
SCT570U050	570X240 Ultra Toroidal Tank	50
SCT570U058	570X270 Ultra Toroidal Tank	58
SCT580U041	580X180 Ultra Toroidal Tank	41
SCT580U043	580X200 Ultra Toroidal Tank	43
SCT580U048	580X220 Ultra Toroidal Tank	48
SCT580U054	580X240 Ultra Toroidal Tank	54
SCT580U060	580X270 Ultra Toroidal Tank	60
SCT600U042	600X180 Ultra Toroidal Tank	42
SCT600U046	600X200 Ultra Toroidal Tank	46
SCT600U051	600X220 Ultra Toroidal Tank	51
SCT600U056	600X240 Ultra Toroidal Tank	56

CODE	ULTRA TOROIDAL TANK	CAPACITY
SCT600U065	600X270 Ultra Toroidal Tank	65
SCT630U045	630X180 Ultra Toroidal Tank	48
SCT630U054	630X200 Ultra Toroidal Tank	54
SCT630U061	630X220 Ultra Toroidal Tank	61
SCT630U067	630X240 Ultra Toroidal Tank	67
SCT630U077	630X270 Ultra Toroidal Tank	77
SCT650U048	650X180 Ultra Toroidal Tank	48
SCT650U054	650X200 Ultra Toroidal Tank	54
SCT650U061	650X220 Ultra Toroidal Tank	61
SCT650U067	650X240 Ultra Toroidal Tank	67
SCT650U077	650X270 Ultra Toroidal Tank	77
SCT680U052	680X180 Ultra Toroidal Tank	52
SCT680U060	680X200 Ultra Toroidal Tank	60
SCT680U067	680X220 Ultra Toroidal Tank	67
SCT680U074	680X240 Ultra Toroidal Tank	74
SCT680U085	680X270 Ultra Toroidal Tank	85
SCT720U058	720X180 Ultra Toroidal Tank	58
SCT720U066	720X200 Ultra Toroidal Tank	66
SCT720U074	720X220 Ultra Toroidal Tank	74
SCT720U082	720X240 Ultra Toroidal Tank	82
SCT720U094	720X270 Ultra Toroidal Tank	94

ULTRA TOROIDAL TANK



UYGULAMA	APPLICATION	ЗАЯВЛЕНИЕ
Likid gaz propan ve butongaz karışımından oluşur. Bu güçlü karışım tüm benzinli ticari ve taşıma araçlarında kullanılır.	Liquid gas propane-butane mixture strange for admission of petrol engines in passenger cars, commercial and delivery vehicles.	Сжиженный газ пропан-бутановая смесь непригодна для впуска в бензиновые двигатели легковых автомобилей, коммерческого и грузового транспорта.

TEKNİK ÖZELLİKLER	TECHNICAL SPECIFICATIONS	ТЕХНИЧЕСКИЕ ХАРАКТЕРИСТИКИ
1. Sınıf	1st Class	T1-й класс
Tasarım ve Test Basıncı 3000 kPa	Design and Test Pressure 3000 kPa	Расчетное и испытательное давление 3000 кПа
Çalışma Basıncı Max. 2550 kPa	Working Pressure Max. 2550 kPa	Максимальное рабочее давление: 2550 кПа
Sac Özelliği DIN EN 10120 P265NB	Sheet Feature DIN EN 10120 P265NB	Характеристика листа DIN EN 10120 P265NB

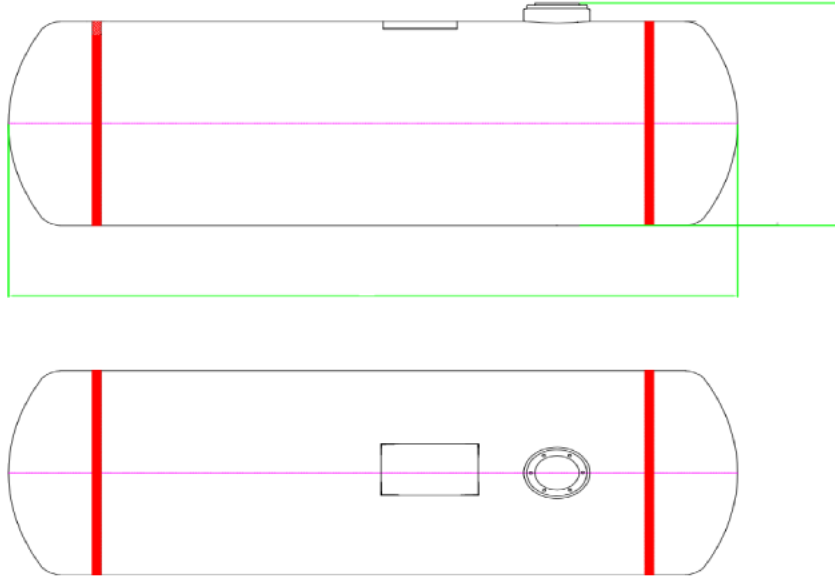
CYLINDER TOROIDAL TANK



CODE	CYLINDER TANK	CAPACITY
SCC244B010	Ø244X290 Cylinder Tank	10
SCC244B015	Ø244X380 Cylinder Tank	15
SCC244B020	Ø244X503 Cylinder Tank	20
SCC244B025	Ø244X615 Cylinder Tank	25
SCC244B030	Ø244X727 Cylinder Tank	30
SCC244B035	Ø244X840 Cylinder Tank	35
SCC244B040	Ø244X950 Cylinder Tank	40
SCC244B045	Ø244X1052 Cylinder Tank	45
SCC270B020	Ø270X396 Cylinder Tank	20
SCC270B025	Ø270X490 Cylinder Tank	25
SCC270B030	Ø270X490 Cylinder Tank	30
SCC270B036	Ø270X720 Cylinder Tank	36
SCC270B040	Ø270X790 Cylinder Tank	40
SCC270B045	Ø270X885 Cylinder Tank	45
SCC270B050	Ø270X980 Cylinder Tank	50
SCC270B055	Ø270X1069 Cylinder Tank	55
SCC270B060	Ø270X1100 Cylinder Tank	60
SCC270B065	Ø270X1182 Cylinder Tank	65
SCC270B070	Ø270X1270 Cylinder Tank	70
SCC270B075	Ø270X1360 Cylinder Tank	75
SCC300B030	Ø300X480 Cylinder Tank	30
SCC300B040	Ø300X630 Cylinder Tank	40
SCC300B050	Ø300X800 Cylinder Tank	50
SCC300B055	Ø300X835 Cylinder Tank	55
SCC300B060	Ø300X940 Cylinder Tank	60
SCC300B065	Ø300X1050 Cylinder Tank	65
SCC300B070	Ø300X1080 Cylinder Tank	70
SCC300B080	Ø300X1180 Cylinder Tank	80
SCC300B090	Ø300X1330 Cylinder Tank	90
SCC300B100	Ø300X1470 Cylinder Tank	100
SCC315B032	Ø315X490 Cylinder Tank	32
SCC315B035	Ø315X522 Cylinder Tank	35
SCC315B040	Ø315X588 Cylinder Tank	40
SCC315B045	Ø315X655 Cylinder Tank	45

CODE	CYLINDER TANK	CAPACITY
SCC315B050	Ø315X722 Cylinder Tank	50
SCC315B055	Ø315X788 Cylinder Tank	55
SCC315B060	Ø315X855 Cylinder Tank	60
SCC315B065	Ø315X922 Cylinder Tank	65
SCC315B070	Ø315X988 Cylinder Tank	70
SCC315B080	Ø315X1122 Cylinder Tank	80
SCC315B090	Ø315X1255 Cylinder Tank	90
SCC315B100	Ø315X1388 Cylinder Tank	100
SCC360B040	Ø360X480 Cylinder Tank	40
SCC360B049	Ø360X550 Cylinder Tank	49
SCC360B050	Ø360X584 Cylinder Tank	50
SCC360B060	Ø360X686 Cylinder Tank	60
SCC360B070	Ø360X786 Cylinder Tank	70
SCC360B080	Ø360X893 Cylinder Tank	80
SCC360B090	Ø360X994 Cylinder Tank	90
SCC360B100	Ø360X1100 Cylinder Tank	100
SCC360B110	Ø360X1200 Cylinder Tank	110
SCC360B120	Ø360X1304 Cylinder Tank	120
SCC400B060	Ø400x567 Cylinder Tank	60
SCC400B070	Ø400x650 Cylinder Tank	70
SCC400B080	Ø400x732 Cylinder Tank	80
SCC400B090	Ø400x815 Cylinder Tank	90
SCC400B100	Ø400x897 Cylinder Tank	100
SCC400B110	Ø400x980 Cylinder Tank	110
SCC400B120	Ø400x1062 Cylinder Tank	120
SCC400B130	Ø400x1145 Cylinder Tank	130
SCC400B140	Ø400x1227 Cylinder Tank	140
SCC400B150	Ø400x1310 Cylinder Tank	150
SCC400B160	Ø400x1392 Cylinder Tank	160
SCC400B170	Ø400x1474 Cylinder Tank	170
SCC400B180	Ø400x1557 Cylinder Tank	180
SCC400B190	Ø400x1640 Cylinder Tank	190
SCC400B200	Ø400x1722 Cylinder Tank	200

CYLINDER TOROIDAL TANK



UYGULAMA	APPLICATION	ЗАЯВЛЕНИЕ
Likid gaz propan ve butongaz karışımından oluşur. Bu güçlü karışım tüm benzinli ticari ve taşıma araçlarında kullanılır.	Liquid gas propane-butane mixture strange for admission of petrol engines in passenger cars, commercial and delivery vehicles.	Сжиженный газ пропан-бутановая смесь непригодна для впуска в бензиновые двигатели легковых автомобилей, коммерческого и грузового транспорта.

TEKNİK ÖZELLİKLER	TECHNICAL SPECIFICATIONS	ТЕХНИЧЕСКИЕ ХАРАКТЕРИСТИКИ
1. Sınıf	1st Class	T1-й класс
Tasarım ve Test Basıncı 3000 kPa	Design and Test Pressure 3000 kPa	Расчетное и испытательное давление 3000 кПа
Çalışma Basıncı Max. 2550 kPa	Working Pressure Max. 2550 kPa	Максимальное рабочее давление: 2550 кПа
Sac Özelliği DIN EN 10120 P265NB	Sheet Feature DIN EN 10120 P265NB	Характеристика листа DIN EN 10120 P265NB

SAMÇELİK



**SAMÇELİK OTO LPG TANKLARI VE PARÇALARI ÜRETİM
PAZARLAMA SAN. ve TİC. LTD. ŞTİ.**

Egemenlik Mahallesi 6106/2 Sokak No:15 Işıkkent-Bornova/İZMİR

satis@samcelik.com.tr

info@samcelik.com.tr